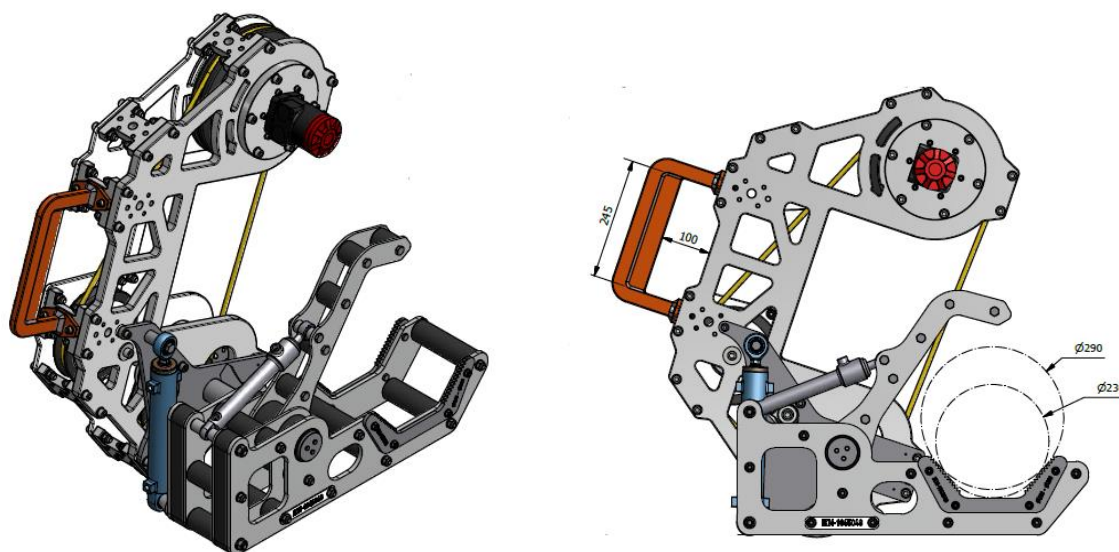


IKM DWS Ø170-290mm with clamp and feed



The IKM Subsea **Diamond Wire Saw** has a long track record. It is designed to cut steel pipes, profiles, wires and chains up to 290 mm. The diamond wire saw is used for various cutting operations where conventional rotating blades are insufficient. The saw has exceptional performance and a long service life.

SPECIFICATIONS

Type	Subsea Diamond Wire Saw
Model	Ø170-290 mm
Part number	IKM-1044551
Dimensions LxWxH	909x968x441 mm
Cutting diameter	Ø170-290 mm
Motor	46 cc
Recommended feed rate	5 – 25 mm/min
Hydraulic connection	2x 3/4" JIC 8 (HF) 4x 7/16" JIC 4 (LF)
Hydraulic pressure	165-185 bar
Hydraulic flow	50-55 LPM
Weight in air	68 kg
Weight in water	44 kg
Number of hydraulic connections to ROV	6 hoses (three functions) HF: Minimum NG6 Valve LF: NG4 or NG3 Valve

- Designed to cut steel pipes, steel profiles, flexible risers and chains.
- Clamps can be modified to different interfaces and diameters if required.
- HF: Minimum NG6 Valve
- LF: NG4 or NG3 Valve